

# ROCKUS

## USER MANUAL



The luminaire shall be installed by a qualified electrician and wired in accordance with the latest IEE electrical regulations or the national requirements.

# Installation Instructions

---

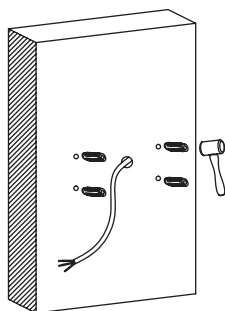
## A. Technical Parameters

Product name	ROCKUS
Product code	644
Input Voltage	AC 220V
Power	7.5 - 20W
Power Factor	>0.9
Beam Angle	97x99°, 100x100°, 87x75°, 93x75°
Color temperature	SINGLE COLOR
Colour rendering index	>70 CRI
Working Environment	-40°C to +50°C
Dimensions	150x150x75mm, 200x200x85mm, 200x100x120mm, 300x100x120mm
Net weight	1.5 - 3.3 Kg
Control Mode	On/Off

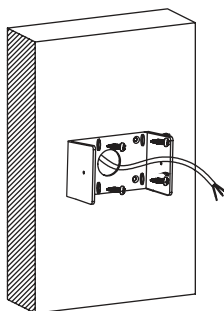
## Installation Instructions

1. Drill four holes on the wall where you are about to install the lighting fixture. Then put four rubber plug into the holes respectively by using a hammer.
2. Fix the bracket on the wall with four steel screw. Make sure the cable get through the hole in the middle of it.
3. Connect the lighting fixture with the cable which is been prepared for the installation previously.

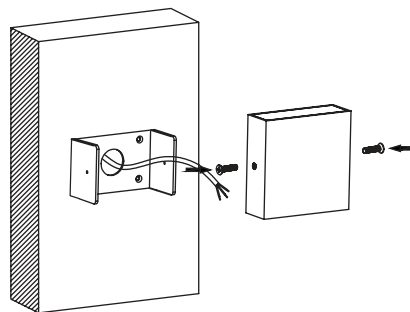
### ROCKUS QUADRO



1

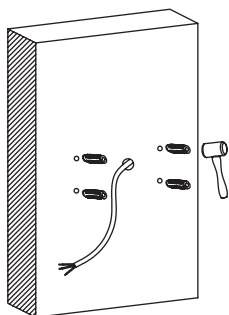


2

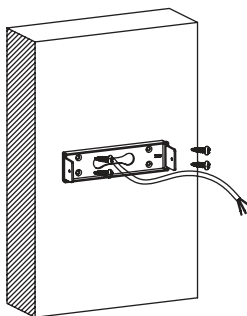


3

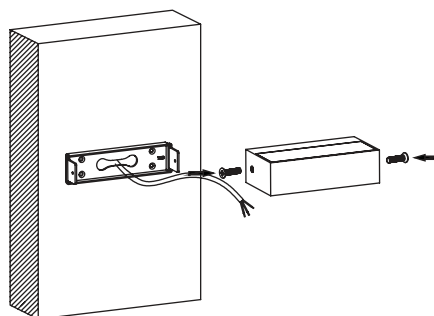
### ROCKUS SINGLE



1



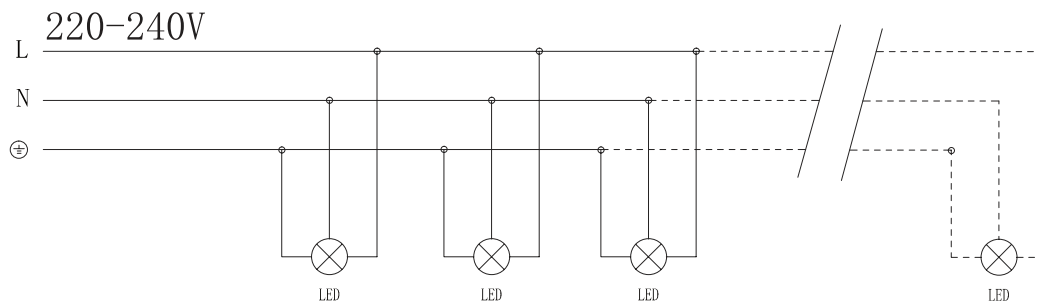
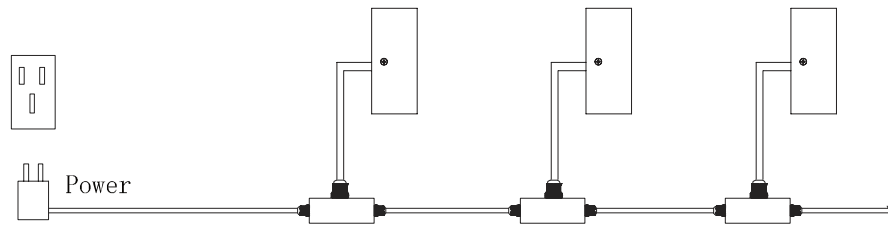
2



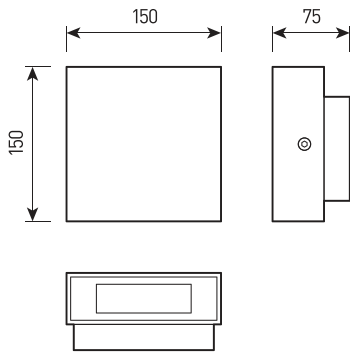
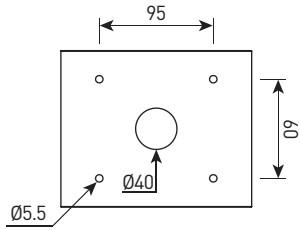
3

# Installation Instructions

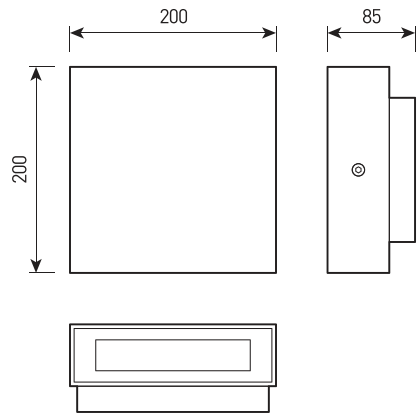
## Example wiring diagram



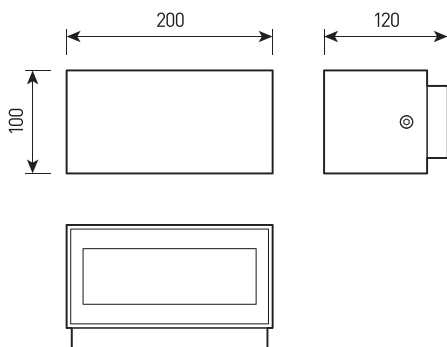
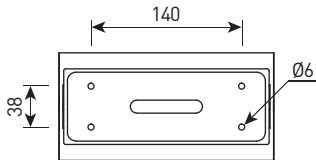
## Overall dimensions



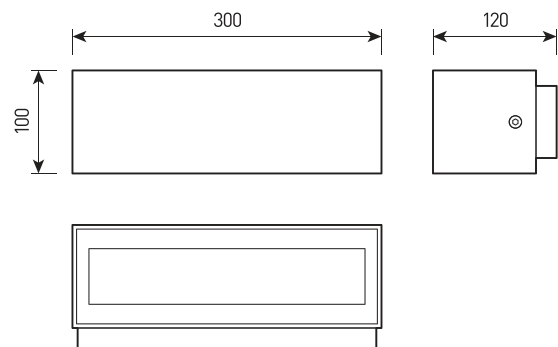
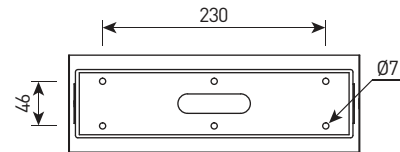
ROCKUS QUADRO SINGLE / TWIN S



ROCKUS QUADRO SINGLE / TWIN M



ROCKUS SINGLE / TWIN S



ROCKUS SINGLE / TWIN M